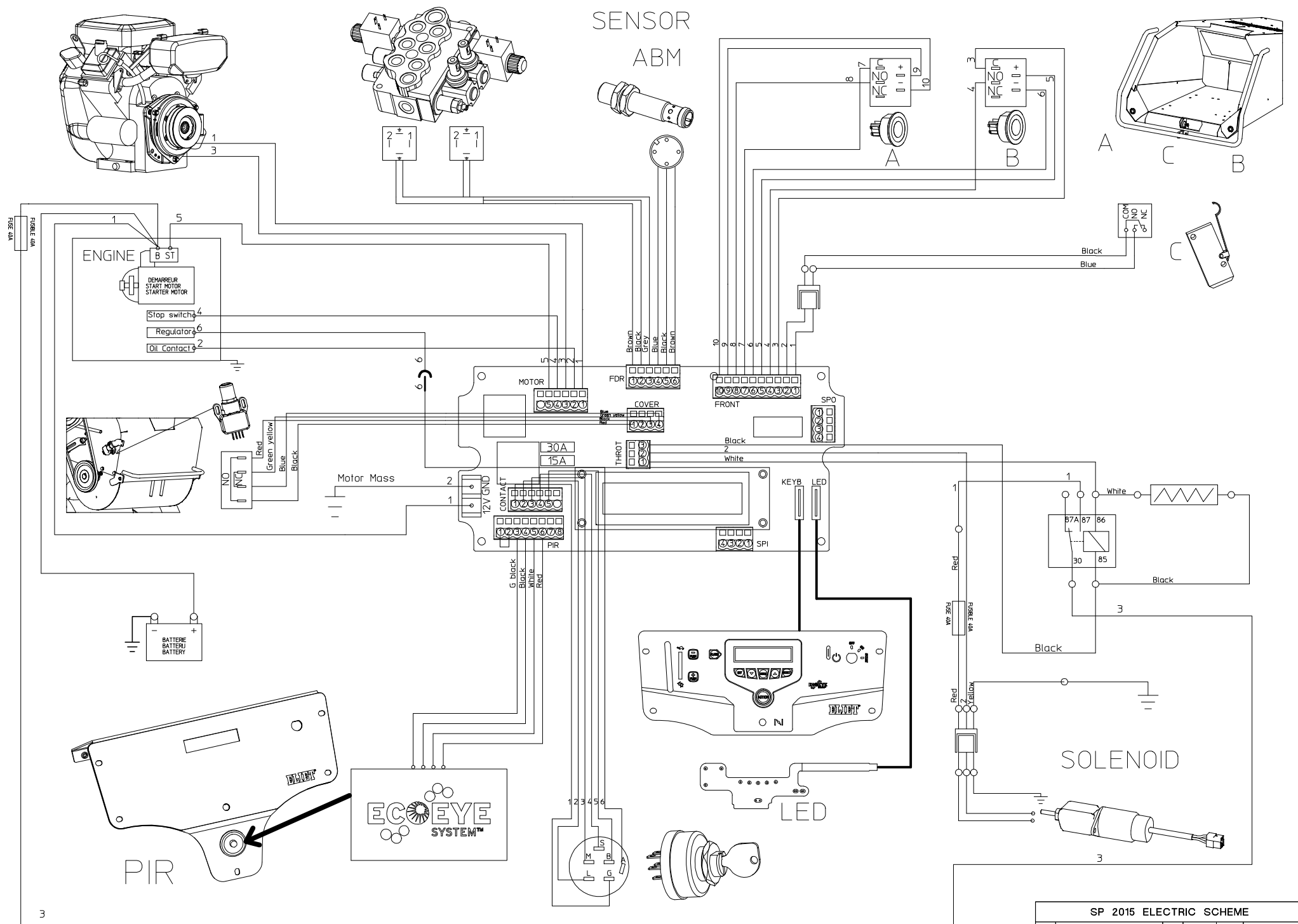
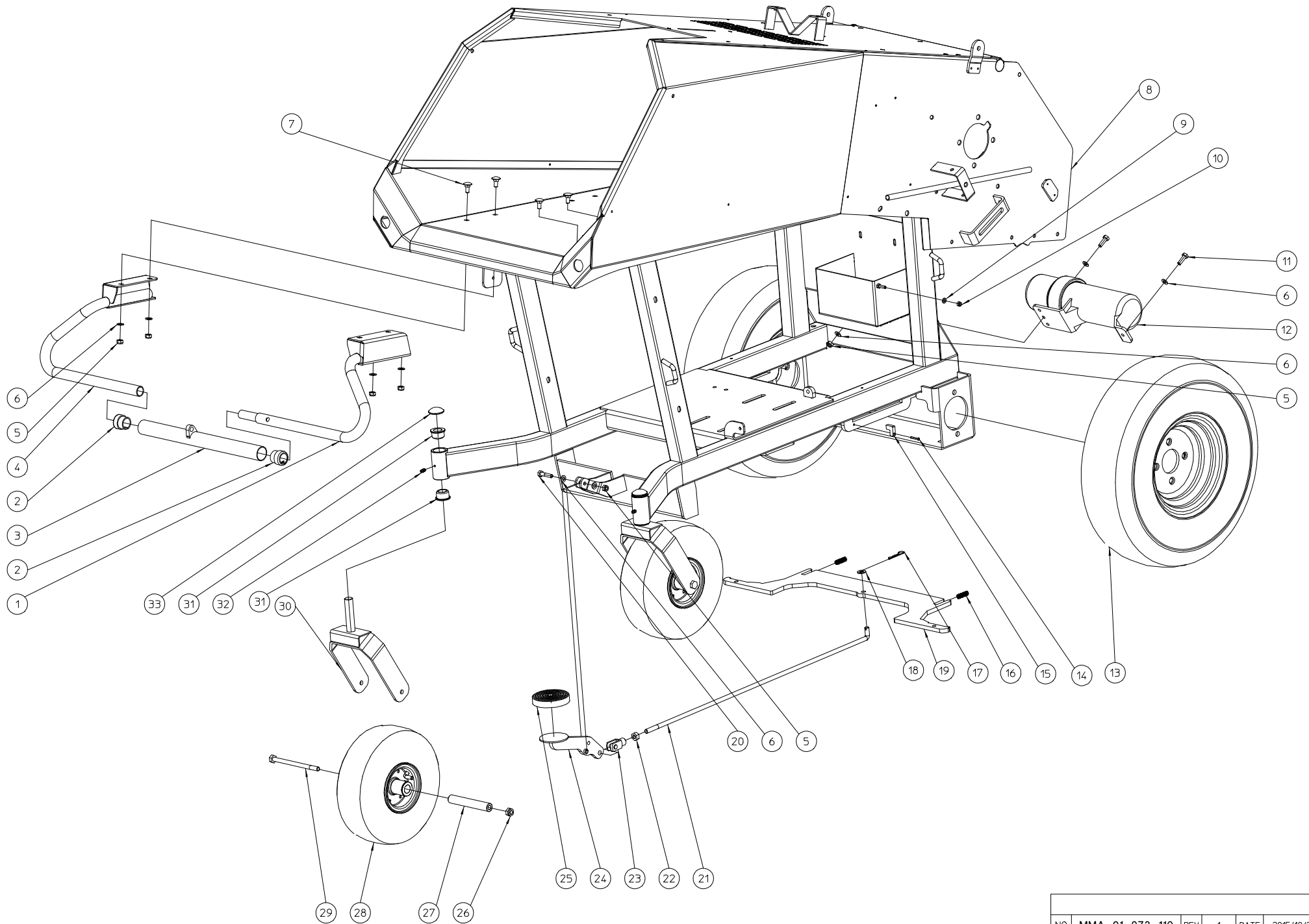


| | | | | | |
|----|----------------|-----|---|------|------------|
| NO | MMA 01 073 100 | REV | 4 | DATE | 2017/03/21 |
|----|----------------|-----|---|------|------------|

SENSOR ABM

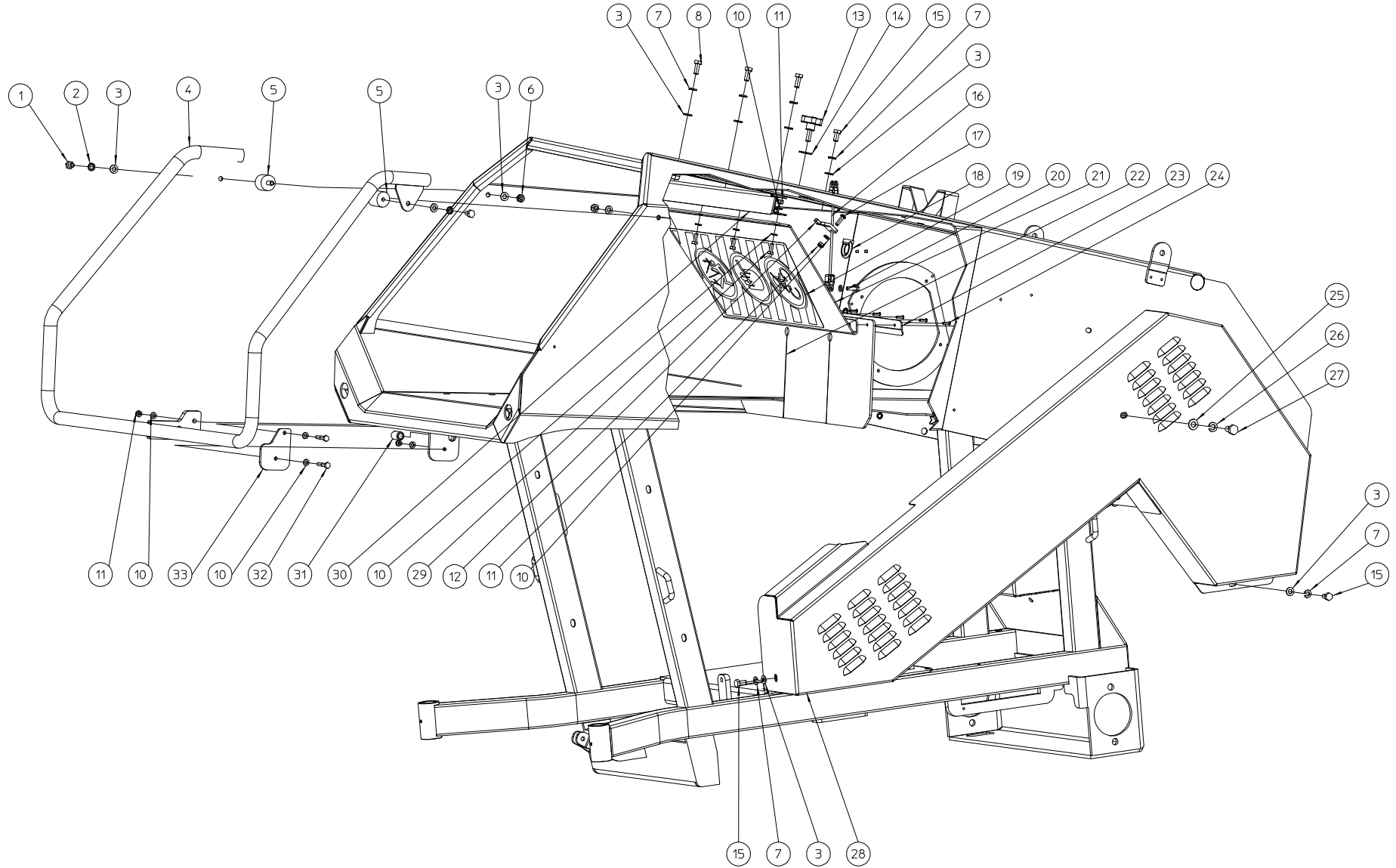


| SP 2015 ELECTRIC SCHEME | | | | |
|-------------------------|----------------|-----|---|-----------------|
| NO | BE 900 073 010 | REV | 1 | DATE 2017/03/30 |



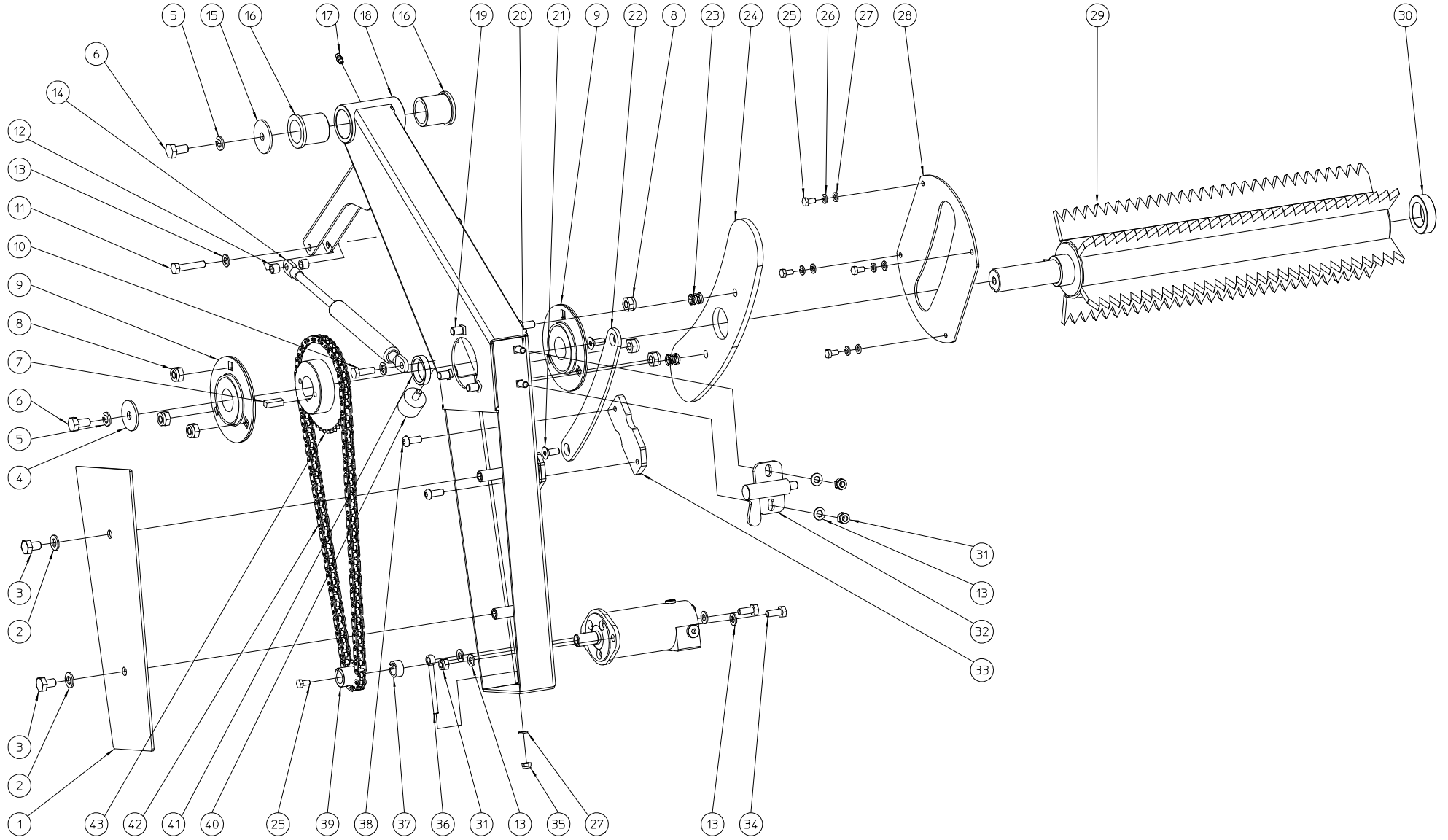
| | | | | | |
|----|----------------|-----|---|------|------------|
| NO | MMA 01 073 110 | REV | 1 | DATE | 2015/10/27 |
|----|----------------|-----|---|------|------------|

| # | Order nr | article description | quantity |
|----|----------------|---|----------|
| 1 | MPA 01 073 410 | steer right | 1 |
| 2 | BR 910 000 010 | nylon bushing with collar (25/30/34x30/15) | 2 |
| 3 | MPA 01 073 430 | command tube | 1 |
| 4 | MPA 01 073 420 | steer left | 1 |
| 5 | BS 502 000 800 | self locking nut m8 din 985 | 7 |
| 6 | BS 531 000 800 | washer m8 din 125 | 10 |
| 7 | BS 554 100 820 | bolt m8x20 din 603 | 4 |
| 8 | MPA 01 073 100 | chassis | 1 |
| 9 | BS 531 000 600 | washer m6 din 125 | 1 |
| 10 | BS 502 000 600 | self locking nut m6 din 985 | 1 |
| 11 | BS 512 000 825 | bolt m8x25 din 933 | 2 |
| 12 | BQ 790 010 020 | document holder 320 mm | 1 |
| 13 | BW 054 060 000 | rear wheel 6,00-9 6pr | 2 |
| 14 | BB 221 004 250 | pop plug steel 3.9x25 din 7337 a | 2 |
| 15 | BR 910 000 050 | nylon touch block | 2 |
| 16 | BV 907 000 020 | spring 10x1x60 | 2 |
| 17 | BB 040 102 040 | hairpin cotter 2mm din 11024 | 1 |
| 18 | BS 531 001 000 | washer m10 din 125 | 1 |
| 19 | MPA 01 073 540 | brake plate | 1 |
| 20 | BS 511 000 835 | bolt m8x35 din 931 | 1 |
| 21 | MPA 01 073 220 | brake rod | 1 |
| 22 | BS 501 001 000 | nut m10 din 934 | 1 |
| 23 | BS 556 001 000 | fork m10x20 din 71752 | 1 |
| 24 | MPA 01 070 130 | brake pedal | 1 |
| 25 | BR 900 000 110 | rubber socks dia 90x18mm | 1 |
| 26 | BS 502 001 000 | self locking nut m10 din 985 | 2 |
| 27 | MPA 01 070 390 | front wheel axle | 2 |
| 28 | BW 029 020 100 | front wheel 4.00-4 | 2 |
| 29 | BS 511 001 055 | bolt m10x150 din 931 | 2 |
| 30 | MPA 01 073 210 | wheel fork | 2 |
| 31 | BR 112 201 910 | nylon bushing with collar (20.5/30/35x19/2.5) | 4 |
| 32 | BY 100 106 100 | grease fitting m6 din 71412 | 2 |
| 33 | BB 011 000 200 | starlock 20mm | 2 |



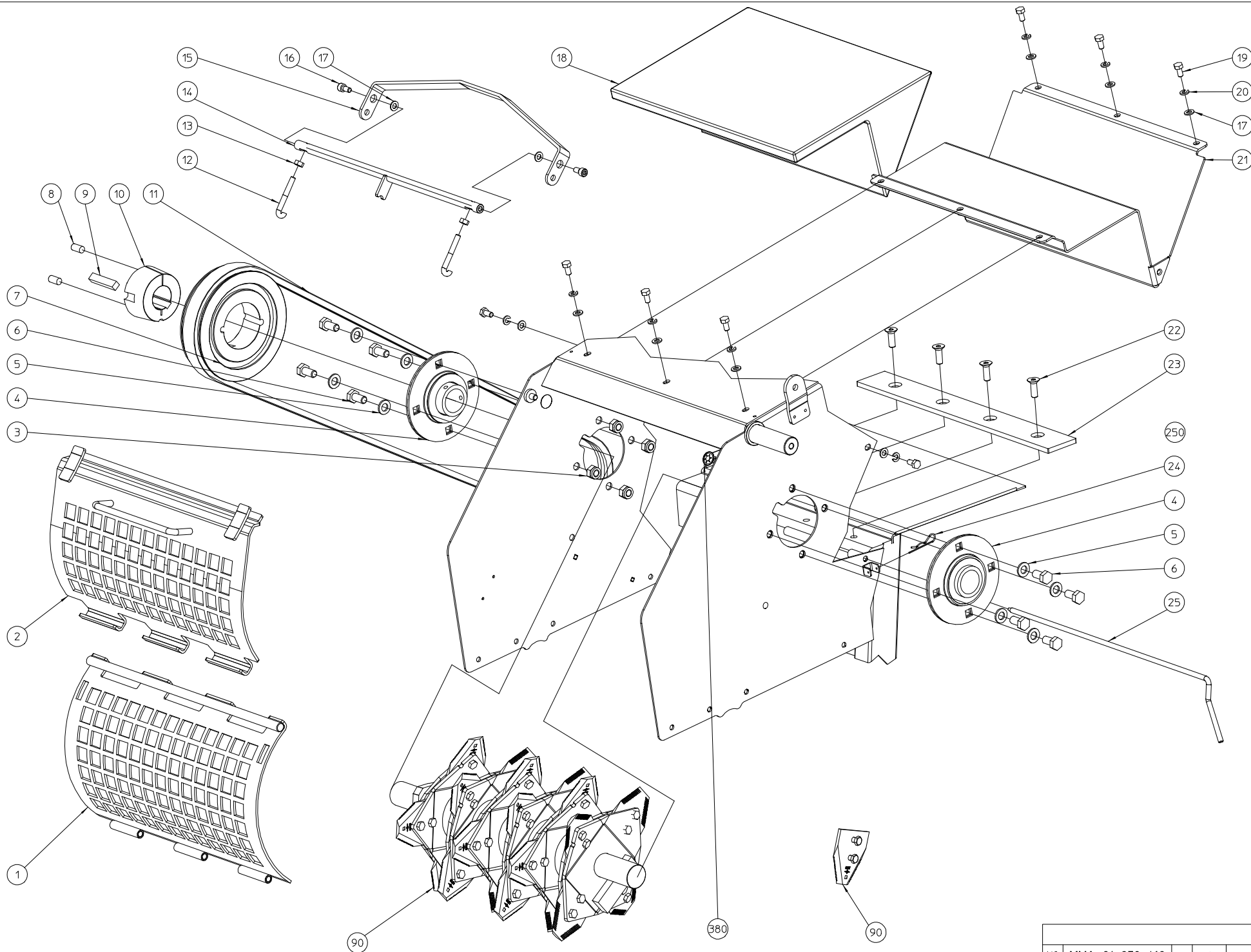
| | | | | | |
|----|----------------|-----|---|------|------------|
| NO | MMA 01 073 120 | REV | 1 | DATE | 2015/10/28 |
|----|----------------|-----|---|------|------------|

| # | Order nr | article description | quantity |
|----|----------------|---------------------------------------|----------|
| 1 | BS 512 000 812 | bolt m8x12 din 933 | 2 |
| 2 | BS 534 000 800 | lock washer m8 din 6798a | 2 |
| 3 | BS 531 000 800 | washer m8 din 125 | 10 |
| 4 | MPA 01 073 180 | safety handle | 1 |
| 5 | BR 600 130 301 | antivibration blocks 30x30b m8x16 | 2 |
| 6 | BS 502 000 800 | self locking nut m8 din 985 | 2 |
| 7 | BS 533 000 800 | lock washer m8 din 127b | 6 |
| 8 | BS 512 000 820 | bolt m8x20 din 933 | 3 |
| 10 | BS 531 000 600 | washer m6 din 125 | 15 |
| 11 | BS 502 000 600 | self locking nut m6 din 985 | 8 |
| 12 | MPA 01 073 810 | connection flap control | 1 |
| 13 | BN 630 208 200 | lob knob m8x20 | 1 |
| 14 | BS 532 008 253 | washer m8x25x1.5 | 1 |
| 15 | BS 512 000 816 | bolt m8x16 din 933 | 3 |
| 16 | BK 152 250 201 | cable support anti projectionplate | 1 |
| 17 | BS 522 500 620 | screw m6x20 iso 7380 | 1 |
| 18 | BS 507 000 008 | lifting eye nut m8 din 582 | 1 |
| 19 | BQ 505 010 100 | safety sticker 465x200 (shield) | 1 |
| 20 | BS 512 000 620 | bolt m6x20 din 933 | 1 |
| 21 | MPA 01 073 510 | anti projectionplate | 1 |
| 22 | BR 900 001 670 | rubber anti projection flap 510 x 210 | 1 |
| 23 | MPA 01 073 590 | support rubber anti-projection | 1 |
| 24 | BB 221 104 140 | pop plug alu 3.9x14 din 7337 a | 6 |
| 25 | BS 531 001 000 | washer m10 din 125 | 1 |
| 26 | BS 533 001 000 | lock washer m10 din 127b | 1 |
| 27 | BS 512 001 020 | bolt m10x20 din 933 | 1 |
| 28 | MPA 01 073 200 | belt cover | 1 |
| 29 | BS 512 000 616 | bolt m6x16 din 933 | 4 |
| 30 | MPA 01 073 300 | set square support anti-projection | 1 |
| 31 | BS 351 601 624 | spring loaded plunjer m16x24 | 1 |
| 32 | BS 511 000 635 | bolt m6x35 din 931 | 2 |
| 33 | MPA 01 073 650 | plate security switch | 1 |



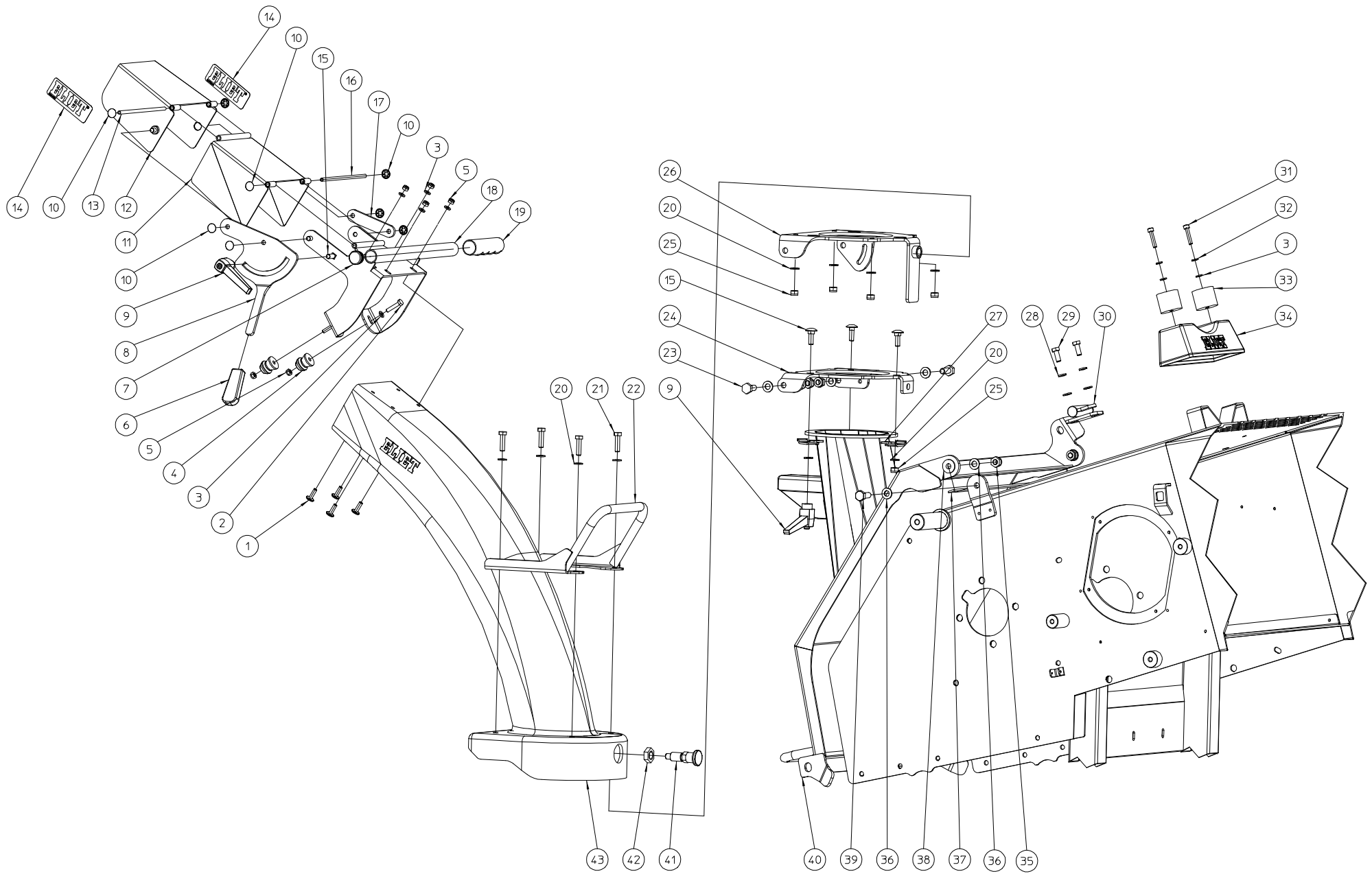
| | | | | | |
|----|----------------|-----|---|------|------------|
| NO | MMA 01 073 130 | REV | 2 | DATE | 2016/02/23 |
|----|----------------|-----|---|------|------------|

| # | Order nr | article description | quantity |
|----|----------------|--|----------|
| 1 | MPA 01 073 550 | | 1 |
| 2 | BS 531 001 000 | washer m10 din 125 | 2 |
| 3 | BS 512 001 016 | bolt m10x16 din 933 | 2 |
| 4 | BS 532 010 406 | washer m10x40x3 | 1 |
| 5 | BS 533 001 000 | lock washer m10 din 127b | 2 |
| 6 | BS 512 001 020 | bolt m10x20 din 933 | 2 |
| 7 | BB 341 080 725 | key 8x7x25 din 6880 | 1 |
| 8 | BS 502 001 000 | self locking nut m10 din 985 | 6 |
| 9 | BL 801 503 000 | bearing + flanges aspf 206 | 2 |
| 10 | BS 512 000 825 | bolt m8x25 din 933 | 1 |
| 11 | BS 512 000 840 | bolt m8x40 din 933 | 1 |
| 12 | BS 531 000 800 | washer m8 din 125 | 9 |
| 13 | MPA 01 070 420 | bushing | 2 |
| 14 | BV 521 010 001 | gas struts 500n x 100mm | 1 |
| 15 | MPA 01 073 870 | washer 44x10x3 | 1 |
| 16 | BR 112 304 090 | nylon bushing with collar | 2 |
| 17 | BY 100 106 100 | grease fitting m6 din 71412 | 1 |
| 18 | MPA 01 073 130 | arm pinch roll | 1 |
| 19 | BS 554 101 020 | bolt m10x20 din603 | 6 |
| 20 | BS 554 100 820 | bolt m8x20 din 603 | 2 |
| 21 | BS 522 100 820 | screw m8x20 din 7991 | 2 |
| 22 | MPA 01 073 790 | guide arm feed roller | 1 |
| 23 | BV 911 000 010 | spring 14x2x16 | 2 |
| 24 | BR 910 000 810 | nylon cover sp2015 | 1 |
| 25 | BS 512 000 612 | bolt m6x12 din 933 | 5 |
| 26 | BS 533 000 600 | lock washer m6 din 127b | 4 |
| 27 | BS 531 000 600 | washer m6 din 125 | 5 |
| 28 | MPA 01 073 560 | | 1 |
| 29 | MPA 01 073 110 | pinch roll | 1 |
| 30 | BR 111 321 310 | nylon bushing (32/50x13) | 1 |
| 31 | BS 502 000 800 | self locking nut m8 din 985 | 4 |
| 32 | MPA 01 073 290 | lock 10mm | 1 |
| 33 | MPA 01 073 780 | thrust block arm feed roller | 1 |
| 34 | BS 512 000 820 | bolt m8x20 din 933 | 2 |
| 35 | BS 502 000 600 | self locking nut m6 din 985 | 1 |
| 36 | BS 551 100 646 | eye bolt m6x70 din 444 | 1 |
| 37 | MPA 01 070 430 | spacer ring | 1 |
| 38 | BS 522 500 820 | screw m8x20 iso 7380 | 2 |
| 39 | BA 161 012 162 | sprocket simplex 3/8"x7/32" 12t | 1 |
| 40 | BA 151 400 000 | connecting chain link simplex (1/2) 3/8"x7/32" | 1 |
| 41 | BA 151 200 000 | connecting chain link simplex 3/8"x7/32" | 1 |
| 42 | BA 101 104 020 | chain simplex 3/8"x7/32" 104l | 1 |
| 43 | BR 600 530 250 | | 1 |
| 44 | MPA 01 073 680 | spacer ring | 1 |
| 45 | BA 161 040 301 | sprocket 40z 3/8"x7/32" simplex | 1 |



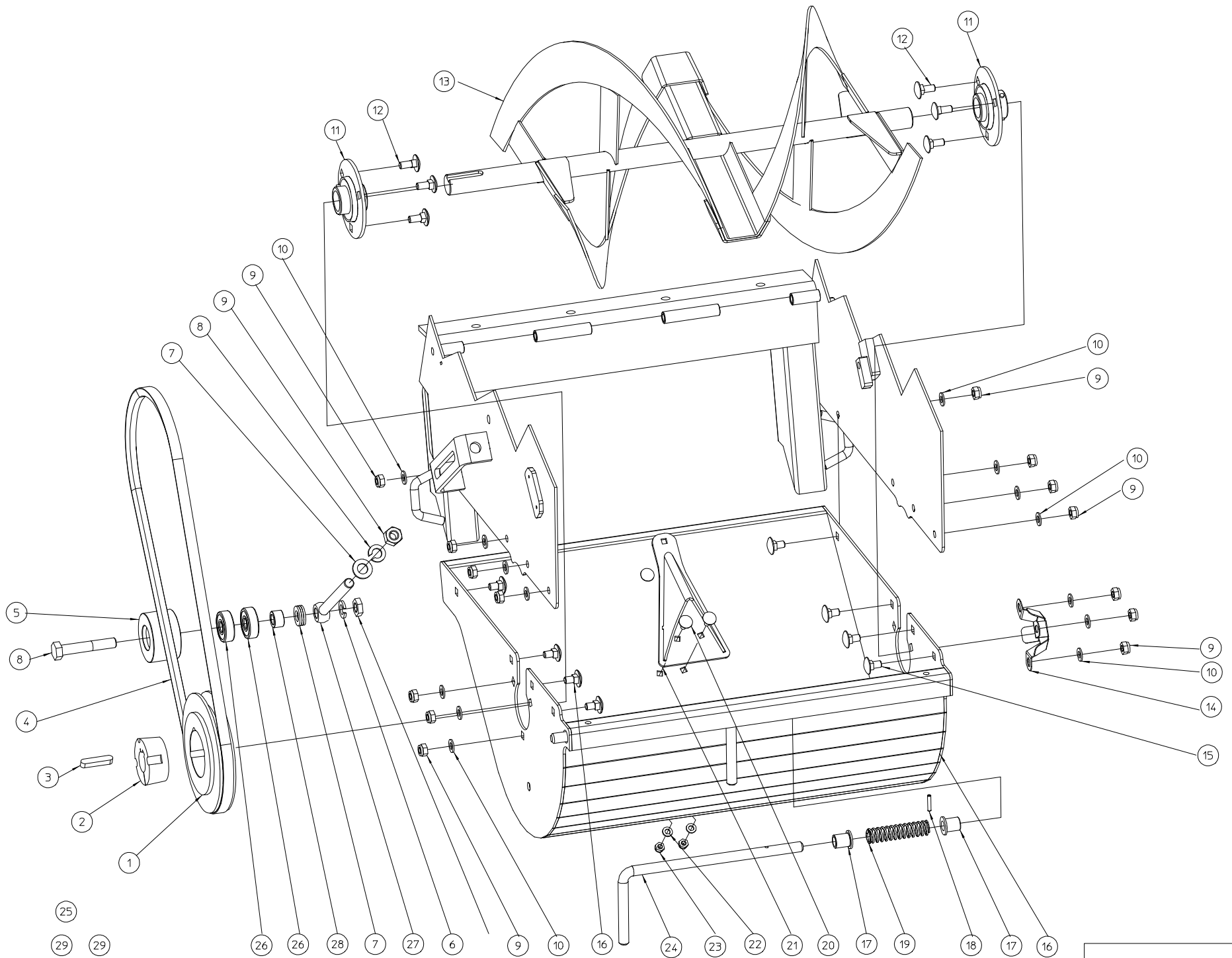
| | | | | | |
|----|----------------|-----|---|------|------------|
| NO | MMA 01 073 140 | REV | 1 | DATE | 2015/10/28 |
|----|----------------|-----|---|------|------------|

| # | Order nr | article description | quantity |
|-----|----------------|---|----------|
| 1 | MPA 01 073 150 | lower calibrating grill | 1 |
| 2 | MPA 01 073 160 | upper calibrating grill | 1 |
| 3 | BS 502 001 200 | self locking nut m12 din 985 | 8 |
| 4 | BL 801 604 001 | kit bearing ucpf 208 complete | 2 |
| 5 | BS 531 001 200 | washer m12 din 125 | 8 |
| 6 | BS 512 001 225 | bolt m12x25 din 933 | 8 |
| 7 | BA 562 718 030 | pulley 3 spa 180 tl2517 | 1 |
| 8 | BB 501 311 220 | set screw 7/16"x7/8" | 2 |
| 9 | BB 341 121 060 | key 12x10x60 din 6880 | 1 |
| 10 | BB 501 164 000 | taper lock tl 2517-40 | 1 |
| 11 | BA 552 221 200 | xpa 2120/2 powerband multibrins | 1 |
| 12 | MPA 01 070 400 | hook for rapid fastener | 2 |
| 13 | BS 501 000 800 | nut m8 din 934 | 2 |
| 14 | MPA 01 073 380 | axe closure grate | 1 |
| 15 | MPA 01 073 570 | lever closure grate | 1 |
| 16 | BS 521 100 816 | screw m8x16 din 912 | 2 |
| 17 | BS 531 000 800 | washer m8 din 125 | 10 |
| 18 | BQ 158 010 150 | isolation rotor | 1 |
| 19 | BS 512 000 816 | bolt m8x16 din 933 | 8 |
| 20 | BS 533 000 800 | lock washer m8 din 127b | 8 |
| 21 | MPA 01 073 310 | isolationplate | 1 |
| 22 | BS 022 101 030 | bolt m8x18 din 7991 10,9 | 4 |
| 23 | MPA 01 070 180 | fixation profile | 1 |
| 24 | BB 040 102 040 | hairpin cotter 2mm din 11024 | 1 |
| 25 | MPA 01 070 210 | axle grating | 1 |
| 90 | BU 401 300 202 | set of knives (24) incl. bolts and nuts | 1 |
| 250 | BS 531 001 000 | washer m10 din 125 | 48 |
| 380 | BB 011 000 090 | starlock 9mm | 1 |



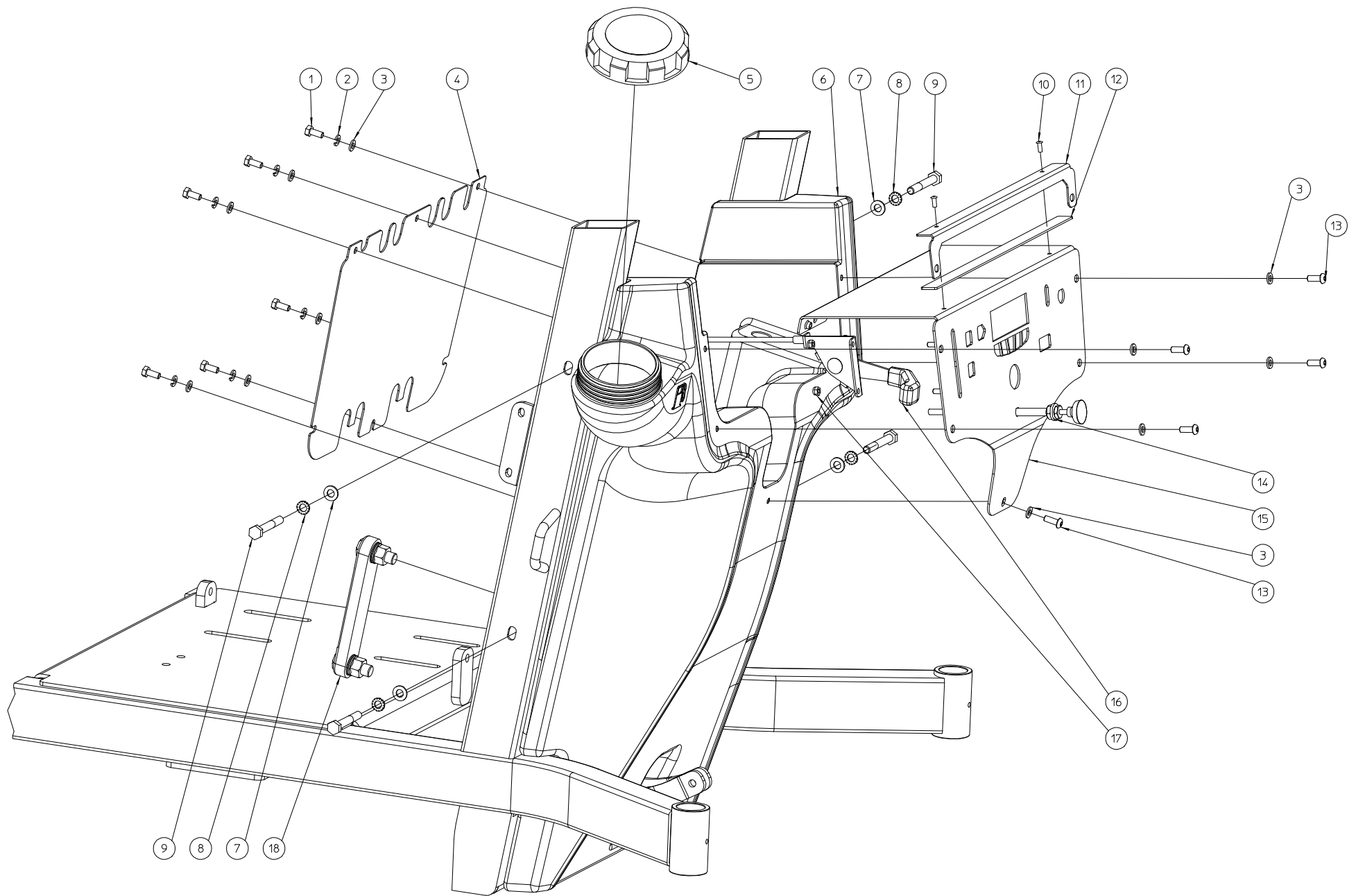
| | | | | | |
|----|----------------|-----|---|------|------------|
| NO | MMA 01 073 150 | REV | 2 | DATE | 2016/02/11 |
|----|----------------|-----|---|------|------------|

| # | Order nr | article description | quantity |
|----|----------------|---|----------|
| 1 | BS 552 100 620 | screw m12x40 type kf | 4 |
| 2 | BS 512 000 630 | bolt m6x30 din 933 | 2 |
| 3 | BS 531 000 600 | washer m6 din 125 | 8 |
| 4 | BO 530 600 001 | hook | 2 |
| 5 | BS 502 000 600 | self locking nut m6 din 985 | 6 |
| 6 | BN 230 100 202 | plastic handgripp 15x5x6 pvc | 1 |
| 7 | BR 020 501 250 | tube cap Ø 25mm | 1 |
| 8 | MPA 01 073 610 | lever flap control | 1 |
| 9 | BN 530 108 800 | clamp levers | 2 |
| 10 | BB 011 000 080 | starlock 8mm | 8 |
| 11 | MPA 01 073 270 | flap ejection | 1 |
| 12 | MPA 01 310 540 | directional valves blow chute low | 1 |
| 13 | MPA 01 311 080 | axle valve - up | 1 |
| 14 | BQ 501 010 090 | sticker eliet 100x35 | 2 |
| 15 | BS 554 100 825 | bolt m8x25 din 603 | 4 |
| 16 | MPA 01 311 090 | axle valve - down | 1 |
| 17 | MPA 01 073 600 | rod flap ejection | 1 |
| 18 | MPA 01 073 260 | support flap ejection | 1 |
| 19 | BN 230 100 408 | plastic grip 1" | 1 |
| 20 | BS 531 000 800 | washer m8 din 125 | 13 |
| 21 | BS 512 000 830 | bolt m8x30 din 933 | 4 |
| 22 | MPA 01 073 280 | handle ejection | 1 |
| 23 | BS 512 001 025 | bolt m10x25 din 933 | 2 |
| 24 | MPA 01 074 360 | | 1 |
| 25 | BS 502 000 800 | self locking nut m8 din 985 | 6 |
| 26 | MPA 01 074 370 | | 1 |
| 27 | MPA 01 073 520 | tube connection | 3 |
| 28 | BS 533 000 800 | lock washer m8 din 127b | 2 |
| 29 | BS 512 000 820 | bolt m8x20 din 933 | 2 |
| 30 | MPA 01 073 290 | lock 10mm | 1 |
| 31 | BS 521 100 630 | screw m6x30 din 912 | 2 |
| 32 | BS 533 000 600 | lock washer m6 din 127b | 2 |
| 33 | BO 530 600 002 | socket | 2 |
| 34 | BR 930 070 020 | support discharge tunnel | 1 |
| 35 | BS 502 001 000 | self locking nut m10 din 985 | 4 |
| 36 | BS 531 001 000 | washer m10 din 125 | 8 |
| 37 | BR 001 512 031 | epdm cellular rubber adhesive 3 x 12 x 480 mm | 1 |
| 38 | BR 112 100 600 | nylon bushing with collar (10/13.5/25x6/2.5) | 2 |
| 39 | BS 512 001 030 | bolt m10x30 din 933 | 2 |
| 40 | MPA 01 073 250 | rear | 1 |
| 41 | BN 000 216 580 | | 1 |
| 42 | BS 501 901 601 | | 1 |
| 43 | BR 930 070 010 | discharge tunnel | 1 |

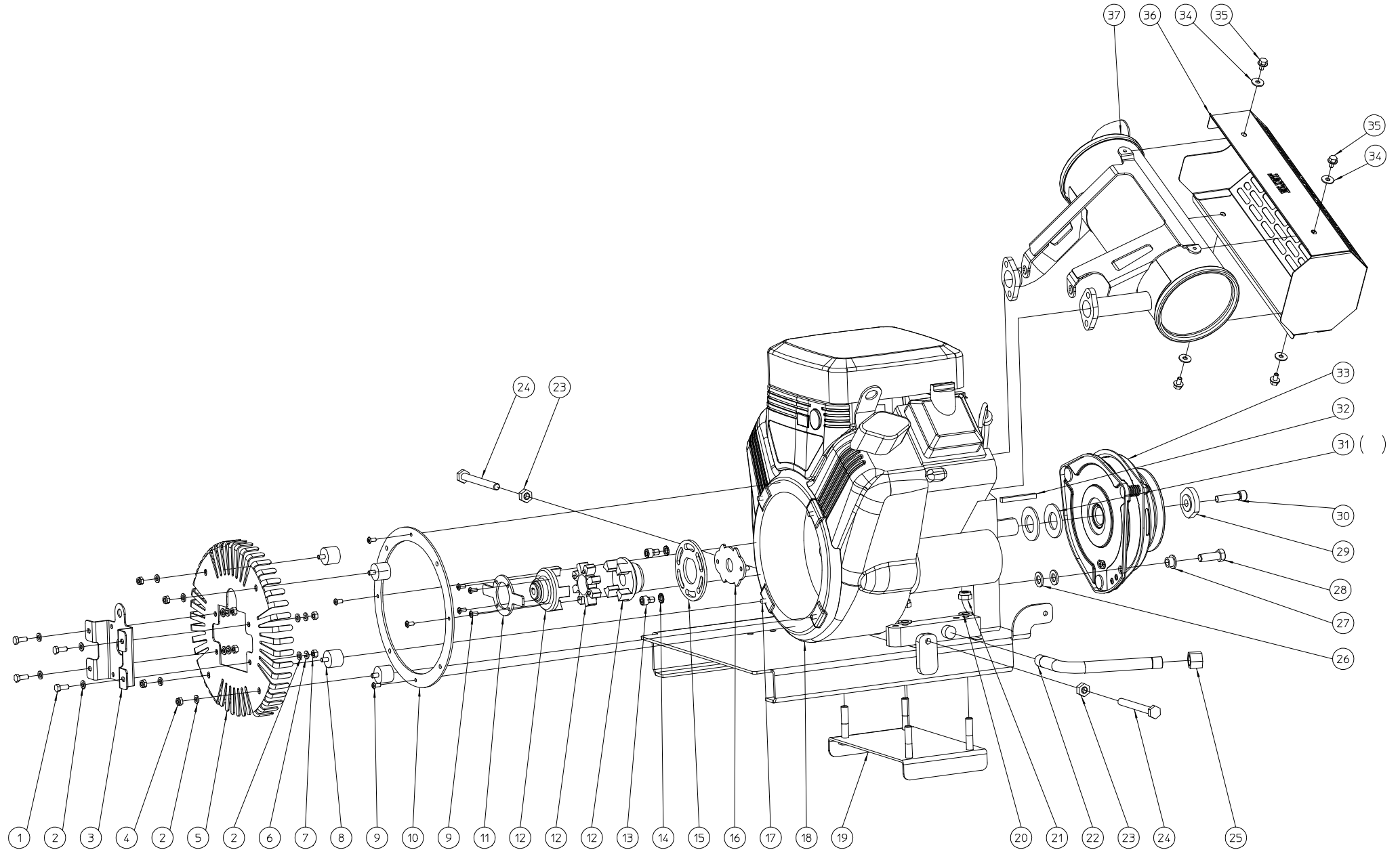


| | | | | | |
|----|----------------|-----|---|------|------------|
| NO | MMA 01 073 160 | REV | 2 | DATE | 2016/10/24 |
|----|----------------|-----|---|------|------------|

| # | Order nr | article description | quantity |
|----|----------------|--|----------|
| 1 | BA 562 714 001 | pulley spa 140x25x8 | 1 |
| 2 | BB 501 132 500 | taper lock tl 1610-25 | 1 |
| 3 | BB 351 080 760 | key 8x7x60 din 6885a | 1 |
| 4 | BA 521 212 070 | xpa 1207 quad-power iii | 1 |
| 5 | BA 599 006 101 | idler roller Ø60 | 1 |
| 6 | BS 531 001 200 | washer m12 din 125 | 1 |
| 7 | BS 533 001 200 | lock washer m12 din 127b | 1 |
| 8 | BS 511 001 247 | | 1 |
| 9 | BS 502 000 800 | self locking nut m8 din 985 | 15 |
| 10 | BS 531 000 800 | washer m8 din 125 | 15 |
| 11 | BL 801 502 502 | bearing + flanges ucpf 205 | 2 |
| 12 | BS 554 100 820 | bolt m8x20 din 603 | 6 |
| 13 | MPA 01 073 320 | coclea | 1 |
| 14 | MPA 01 041 260 | bearing protection cover pf205 + shaft | 1 |
| 15 | BS 554 100 816 | bolt m8x16 din 603 | 8 |
| 16 | MPA 01 073 170 | ejection tray | 1 |
| 17 | BR 112 201 290 | nylon bushing with collar (12x16x20) | 4 |
| 18 | BB 120 040 200 | locking 4x20 din 1481 | 2 |
| 19 | BV 907 000 030 | | 2 |
| 20 | BS 554 100 616 | bolt m6x16 din 603 | 3 |
| 21 | MPA 01 073 700 | | 1 |
| 22 | BS 531 000 600 | washer m6 din 125 | 3 |
| 23 | BS 502 000 600 | self locking nut m6 din 985 | 3 |
| 24 | MPA 01 073 670 | | 2 |
| 25 | MPA 01 074 470 | | 1 |
| 26 | BL 001 203 703 | bearing 6301 2rz | 2 |
| 27 | MPA 01 074 480 | | 1 |
| 28 | MPA 01 330 810 | spacer tightener pulley | 1 |

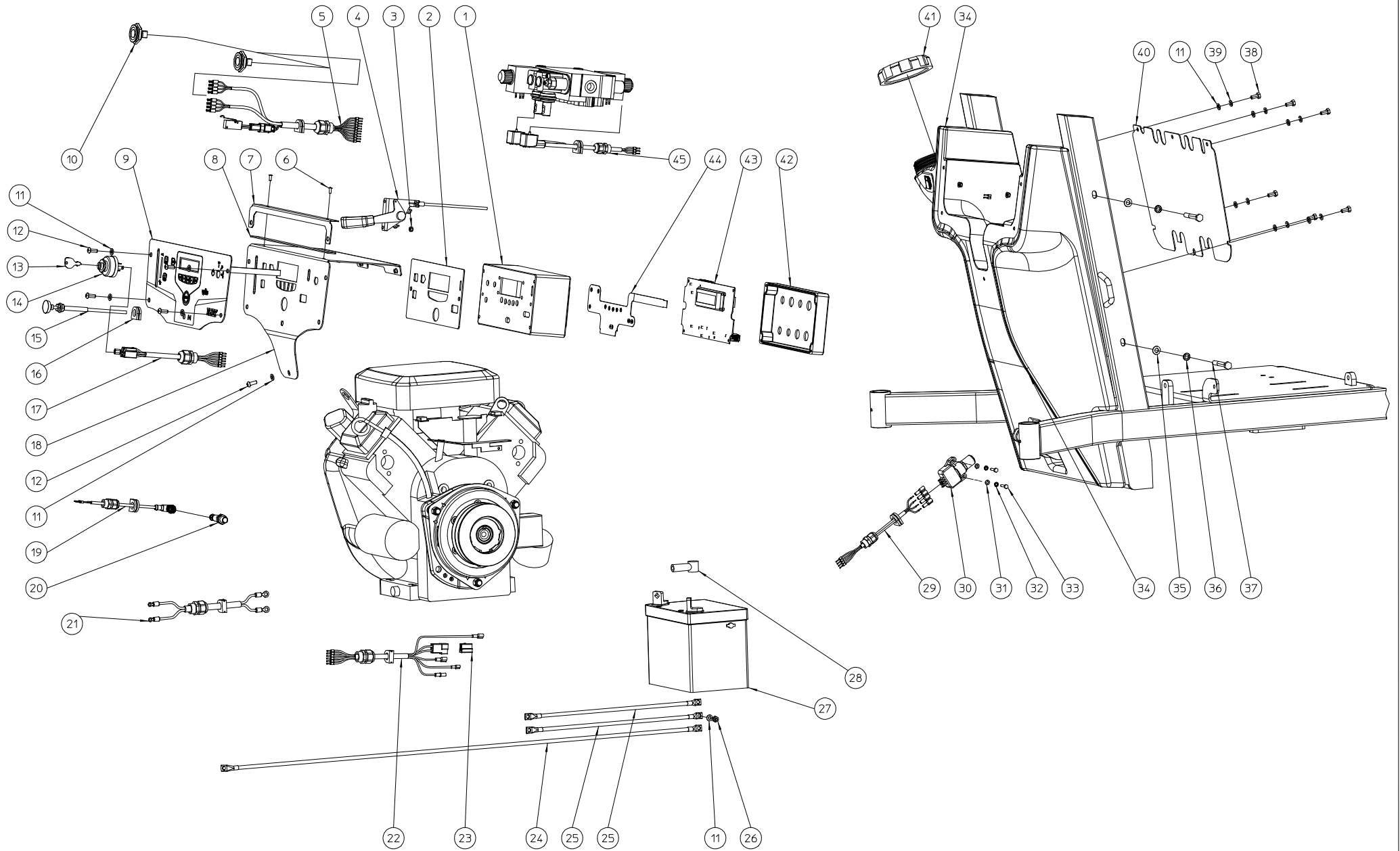


| # | Order nr | article description | quantity |
|----|----------------|--------------------------------|----------|
| 1 | BS 512 000 614 | bolt m6x14 din 933 | 6 |
| 2 | BS 533 000 600 | lock washer m6 din 127b | 6 |
| 3 | BS 531 000 600 | washer m6 din 125 | 11 |
| 4 | MPA 01 073 800 | closure control panel | 1 |
| 5 | BH 720 505 885 | cap for tank | 1 |
| 6 | BY 717 212 020 | plastic tank zwart 20l | 1 |
| 7 | BS 531 000 800 | washer m8 din 125 | 4 |
| 8 | BS 534 000 800 | lock washer m8 din 6798a | 4 |
| 9 | BS 511 000 844 | bolt m8x60 din 931 | 4 |
| 10 | BB 221 104 100 | pop plug alu 3.9x10 din 7337 a | 2 |
| 11 | MPA 01 073 880 | set square control panel | 1 |
| 12 | BR 900 001 700 | extern isolation | 1 |
| 13 | BS 522 500 616 | screw m6x16 iso 7380 | 5 |
| 14 | BK 181 151 060 | choke control | 1 |
| 15 | MPA 01 073 370 | control panel | 1 |
| 16 | BK 164 310 900 | throttle control + cable | 1 |
| 17 | BS 502 000 500 | self locking nut m5 din 985 | 2 |
| 18 | BH 730 404 005 | level gauge 127 mm | 1 |



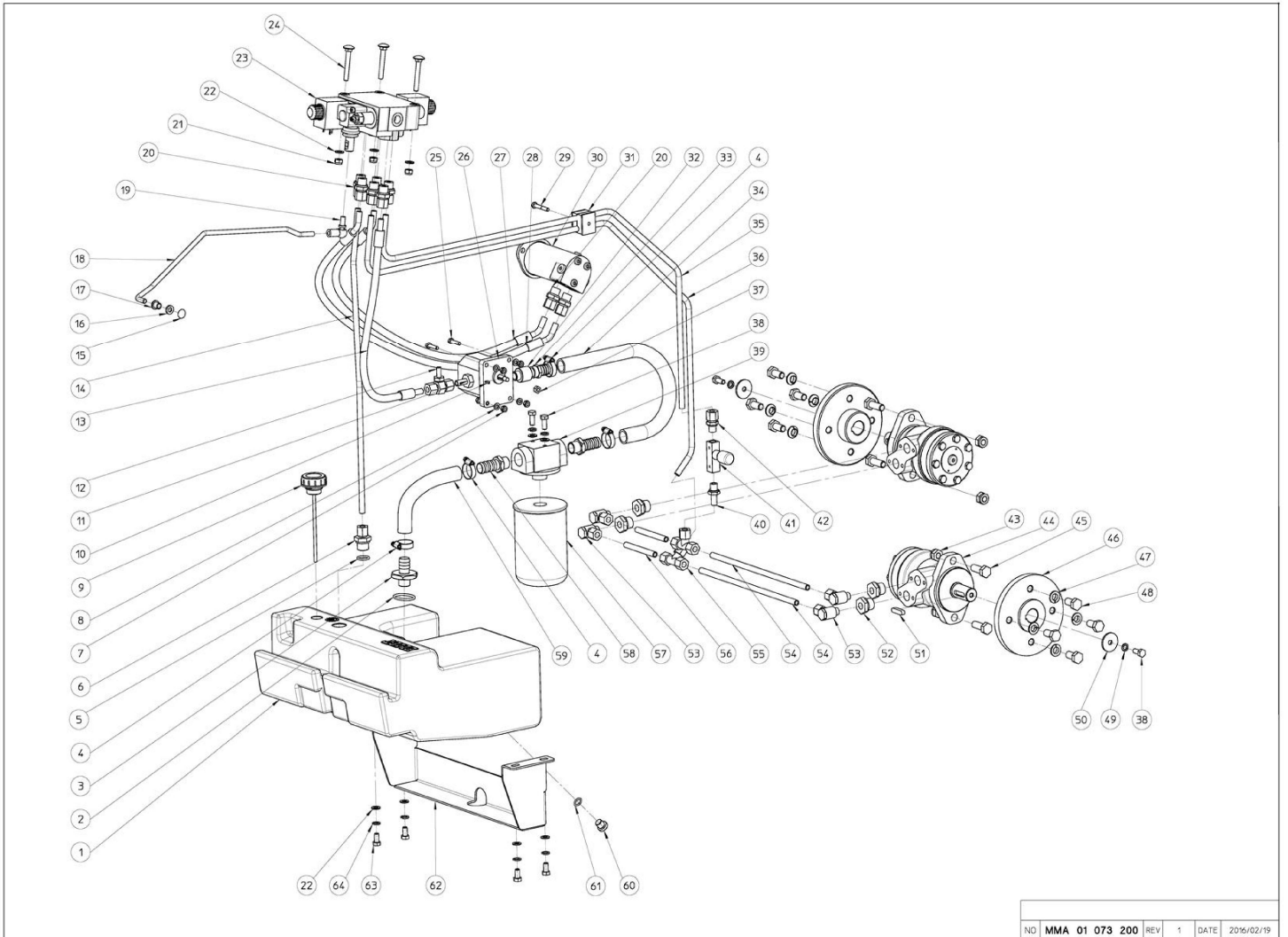
| SP 2015 -- ENGINE | | | | | | |
|-------------------|----------------|-----|---|------|------------|--|
| NO | MMA 01 073 180 | REV | 3 | DATE | 2016/11/23 | |

| # | Order nr | article description | quantity |
|-----|----------------|--|----------|
| 1 | BS 512 000 616 | bolt m6x16 din 933 | 4 |
| 2 | BS 531 000 600 | washer m6 din 125 | 12 |
| 3 | MPA 01 073 820 | | 1 |
| 4 | BS 502 000 600 | self locking nut m6 din 985 | 4 |
| 5 | MPA 01 073 390 | | 1 |
| 6 | BS 533 000 600 | lock washer m6 din 127b | 4 |
| 7 | BS 501 000 600 | nut m6 din 934 | 4 |
| 8 | BR 600 225 201 | antivibration blocks 25x20b m6x10 | 4 |
| 9 | BB 221 005 100 | pop plug steel 4.8x10 din 7337 a | 8 |
| 10 | MPA 01 070 670 | engine housing reinforcement | 1 |
| 11 | MPA 01 073 720 | rotation measuring point | 1 |
| 12 | BA 201 210 100 | elastic coupling m20x1.5 | 1 |
| 13 | BS 521 100 812 | screw m8x12 din 912 | 2 |
| 14 | BS 534 000 800 | lock washer m8 din 6798a | 2 |
| 15 | MPA 01 070 680 | connecting disk for elastic coupling | 1 |
| 16 | MPA 01 070 690 | centring coupling | 1 |
| 17 | MPA 01 071 050 | support reinforcement ring | 4 |
| 18 | BM 201 318 001 | b&s vanguard twin 18 hp | 1 |
| 19 | MPA 01 070 230 | engine fixing plate | 1 |
| 20 | BS 531 001 000 | washer m10 din 125 | 4 |
| 21 | BS 502 001 000 | self locking nut m10 din 985 | 4 |
| 22 | BM 261 300 400 | draining pipe | 1 |
| 23 | BS 501 001 000 | nut m10 din 934 | 2 |
| 24 | BS 512 001 050 | bolt m10x100 din 933 | 2 |
| 25 | BT 174 150 600 | terminal nut 3/8" | 1 |
| 27 | BR 112 101 011 | nylon bushing with collar (10/14/20x7/16") | 1 |
| 28 | BS 512 951 132 | hexagon bolt galvanised 7/16 x 1" 1/4 unc | 1 |
| 29 | MPA 01 074 380 | ring clutch sp2015 | 1 |
| 30 | BS 521 441 040 | screw unf 3/8x1.1/2" din 912 | 1 |
| 31 | BS 033 525 501 | | 2 |
| 32 | BB 342 060 657 | key 6.35x6.35x57 din 6880 | 1 |
| 33 | BA 250 104 010 | electrical coupling spa 118 ii | 1 |
| 34 | BS 532 006 183 | washer m6x18x1.5 | 4 |
| 35 | BS 511 400 610 | hexagon flange bolts m6x10 din 6921 | 4 |
| 36 | MPA 01 073 450 | muffler protection | 1 |
| 37 | BM 261 300 730 | muffler engine | 1 |
| 47 | MPA 01 074 460 | support propeller drive | 1 |
| 57 | MPA 01 074 440 | spacer ring tension engine | 2 |
| 67 | BS 531 000 800 | washer m8 din 125 | 1 |
| 77 | BS 533 000 800 | lock washer m8 din 127b | 1 |
| 87 | BS 512 000 816 | bolt m8x16 din 933 | 1 |
| 97 | MPA 01 074 450 | spacer ring sp2015 | 1 |
| 107 | BM 260 691 613 | gasket b&s | 2 |



| # | Order nr | article description | quantity |
|----|----------------|--------------------------------------|----------|
| 1 | BE 142 412 101 | electrical bay | 1 |
| 2 | BR 900 001 690 | isolation electrical bay | 1 |
| 3 | BS 502 000 500 | self locking nut m5 din 985 | 4 |
| 4 | BK 164 310 900 | throttle control + cable | 1 |
| 5 | BE 099 000 606 | cable control buttons | 1 |
| 6 | BB 221 104 100 | pop plug alu 3.9x10 din 7337 a | 2 |
| 7 | MPA 01 073 880 | set square control panel | 1 |
| 8 | BR 900 001 700 | extern isolation | 1 |
| 9 | BE 700 021 000 | control panel | 1 |
| 10 | BE 120 081 420 | control button | 2 |
| 11 | BS 531 000 600 | washer m6 din 125 | 12 |
| 12 | BS 522 500 616 | screw m6x16 iso 7380 | 5 |
| 13 | BM 260 691 959 | ignition key | 1 |
| 14 | BM 260 692 318 | ignition switch | 1 |
| 15 | BK 181 151 060 | choke control | 1 |
| 16 | BR 000 213 521 | rubber grommets | 1 |
| 17 | BE 099 000 602 | cable ignition switch | 1 |
| 18 | MPA 01 073 370 | control panel | 1 |
| 19 | BE 099 000 607 | cable sensor | 1 |
| 20 | BE 400 010 200 | sensor | 1 |
| 21 | BE 099 000 609 | cable power requirement | 1 |
| 22 | BE 099 000 601 | engine cable | 1 |
| 23 | BE 032 180 907 | housing | 1 |
| 24 | BE 090 281 031 | red wire 16mm ² - 1030mm | 1 |
| 25 | BE 090 180 371 | black wire 16mm ² - 370mm | 2 |
| 26 | BS 502 000 600 | self locking nut m6 din 985 | 1 |
| 27 | BE 240 120 300 | battery 12v 30ah | 1 |
| 28 | BR 701 010 150 | terminal cover | 1 |
| 29 | BE 099 000 605 | cable rear safety interlock | 1 |
| 30 | BE 120 030 020 | safety switch | 1 |
| 31 | BS 531 000 400 | washer m4 din 125 | 2 |
| 32 | BS 534 000 400 | lock washer m4 din 6798a | 2 |
| 33 | BS 512 000 420 | bolt m4x20 din 933 | 2 |
| 34 | BY 717 212 020 | plastic tank zwart 20l | 1 |
| 35 | BS 531 000 800 | washer m8 din 125 | 4 |
| 36 | BS 534 000 800 | lock washer m8 din 6798a | 4 |
| 37 | BS 511 000 844 | bolt m8x60 din 931 | 4 |
| 38 | BS 512 000 614 | bolt m6x14 din 933 | 6 |
| 39 | BS 533 000 600 | lock washer m6 din 127b | 6 |
| 40 | MPA 01 073 800 | closure control panel | 1 |
| 41 | BH 720 505 885 | cap for tank | 1 |
| 42 | BE 142 412 102 | cover electrical bay | 1 |
| 43 | BE 700 023 000 | pcb sp2015 | 1 |
| 44 | BE 700 022 000 | led print | 1 |
| 45 | BE 099 000 604 | cable solenoid valve | 1 |

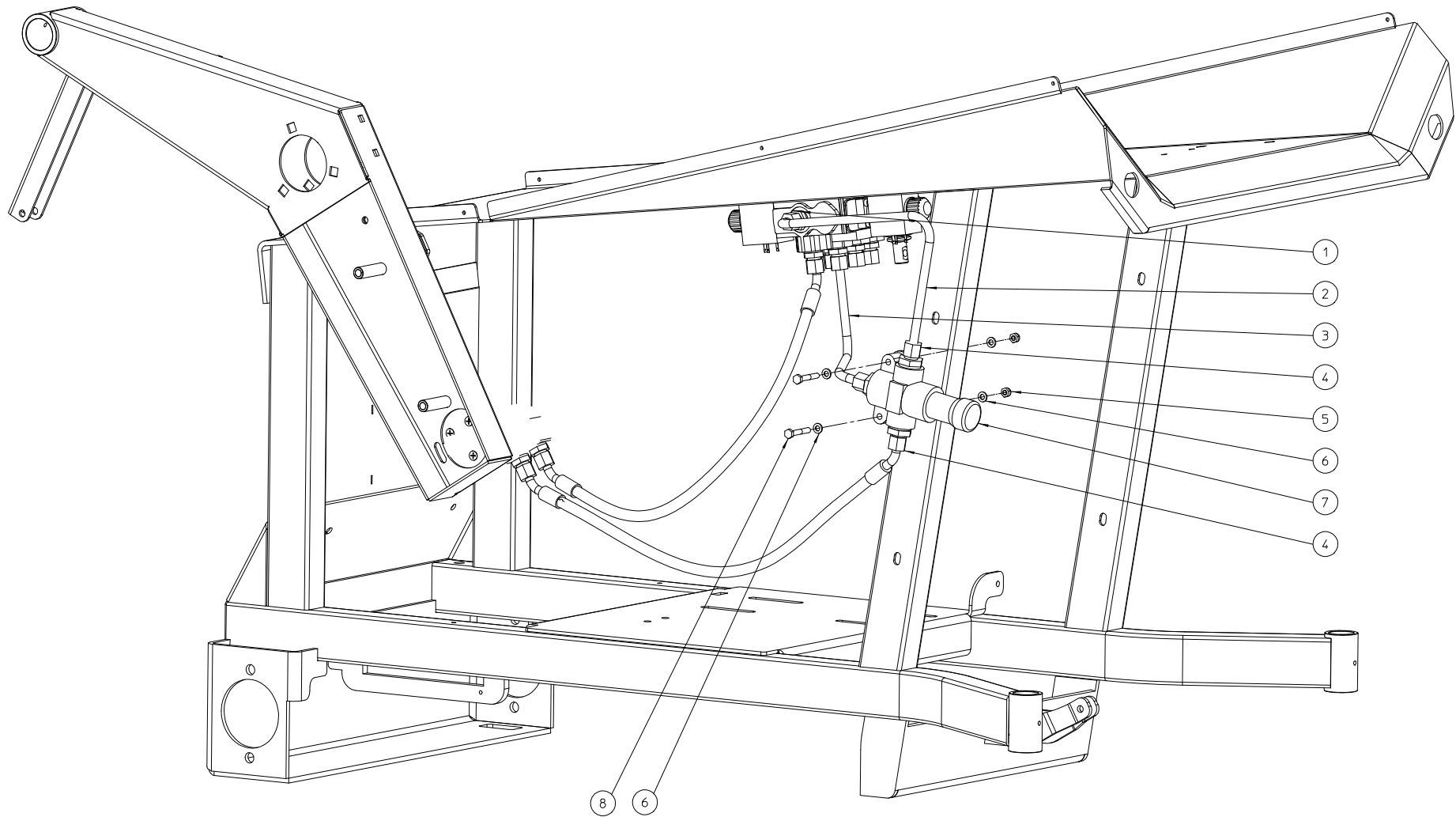
SUPERPROF 2015 - 2017



| | | | | | |
|----|----------------|-----|---|------|------------|
| NO | MMA 01 073 200 | REV | 1 | DATE | 2016/02/19 |
|----|----------------|-----|---|------|------------|

| # | Order nr | article description | quantity |
|----|----------------|--|----------|
| 1 | BY 717 212 012 | oil reservoir | 1 |
| 2 | BH 812 345 350 | o-ring 34,52 x 3,53 mm viton | 1 |
| 3 | MPA 01 073 890 | adaptor Ø 20mm - 1/2" | 1 |
| 4 | BT 670 117 290 | hose clamp 17x29mm | 4 |
| 5 | BH 812 180 300 | o-ring Ø 18 x 3 mm viton | 1 |
| 6 | BH 509 251 009 | male stud coupling 10lx1/2" hole 10 | 1 |
| 7 | BS 502 000 600 | self locking nut m6 din 985 | 4 |
| 8 | BS 531 000 600 | washer m6 din 125 | 4 |
| 9 | BH 720 704 112 | filler cap | 1 |
| 10 | BB 321 020 512 | key 2x5x12.65 din 6888 | 1 |
| 11 | BH 512 671 006 | standpipe adaptor 10sr3/8" | 1 |
| 12 | BH 563 000 100 | manometer coupler 10lxm16x2 | 1 |
| 13 | BH 551 040 490 | flexible hydraulic hose 1/4"x490 | 1 |
| 14 | MPA 01 074 150 | hydraulic pipe (pump return) | 1 |
| 15 | BB 011 000 080 | starlock 8mm | 1 |
| 16 | BR 111 080 300 | nylon bushing (8,2/16x3) | 1 |
| 17 | BR 112 081 300 | nylon bushing with collar (8/11/16x13/2) | 1 |
| 18 | MPA 01 073 850 | link rod traction control | 1 |
| 19 | BA 230 010 800 | ball joint m8 | 1 |
| 20 | BH 509 211 006 | male stud coupling 10lx3/8" | 8 |
| 21 | BS 502 000 800 | self locking nut m8 din 985 | 3 |
| 22 | BS 531 000 800 | washer m8 din 125 | 9 |
| 23 | BH 400 401 210 | hydraulic valve sd5-2 | 1 |
| 24 | BS 554 100 844 | bolt m8x60 din603 | 3 |
| 25 | BS 512 000 625 | bolt m6x25 din 933 | 4 |
| 26 | BH 210 103 200 | hydraulic pump 3.2cc | 1 |
| 27 | BH 551 040 800 | flexible hydraulic hose 1/4"x800 | 1 |
| 28 | BH 551 040 871 | flexible hydraulic hose 1/4"x870 | 1 |
| 29 | BS 511 000 640 | bolt m6x40 din 931 | 1 |
| 30 | BH 331 204 001 | hydraulic engine mm f s 40 c - II | 1 |
| 31 | BH 711 020 010 | pipe clamp b-10mm ass. | 1 |
| 32 | BT 134 280 608 | messaging 3/8x1/2 | 1 |
| 33 | BT 136 260 820 | insert connector for hose 20x1/2 | 1 |
| 34 | BR 220 619 045 | flexible suction pipe Ø19x450mm | 1 |
| 35 | MPA 01 074 170 | hydraulic pipe st 2 | 1 |
| 36 | MPA 01 074 160 | hydraulic pipe st 1 | 1 |
| 37 | BS 501 000 700 | nut m7 din 934 | 1 |
| 38 | BS 512 000 820 | bolt m8x20 din 933 | 4 |
| 39 | BH 280 612 120 | support hydraulic filter 3/4" | 1 |
| 40 | BH 512 611 004 | standpipe adaptor 10lx1/4" | 1 |
| 41 | BH 430 110 400 | flow control valve 1/4" | 1 |
| 42 | BH 509 211 004 | male stud coupling 10lx1/4" | 1 |
| 43 | BS 502 001 200 | self locking nut m12 din 985 | 4 |
| 44 | BH 331 510 000 | hydraulic engine mr n 100 cd | 2 |
| 45 | BS 512 001 235 | bolt m12x35 din 933 | 4 |
| 46 | BA 281 504 501 | hub rear wheel m12x1.5 | 2 |
| 47 | BS 535 301 210 | lock cup washer m12 din 74361 | 8 |
| 48 | BS 512 301 225 | bolt m12x1.5x25 din 961 | 8 |
| 49 | BS 534 000 800 | lock washer m8 din 6798a | 2 |
| 50 | BS 532 008 356 | washer m8x35x3 | 2 |
| 51 | BB 351 080 732 | key 8x7x32 din 6885a | 2 |
| 52 | BH 514 100 804 | reduction stud (m-f) 1/2"-1/4" | 4 |

| | | | |
|----|----------------|--------------------------------|---|
| 53 | BH 513 111 004 | banjo 10lx1/4" | 4 |
| 54 | MPA 01 073 960 | hydraulic pipe st 3 | 2 |
| 55 | BH 510 011 000 | equal tee 10l | 2 |
| 56 | MPA 01 073 950 | hydraulic pipe st 4 | 2 |
| 57 | BH 280 212 000 | oil filter (return) | 1 |
| 58 | BT 136 261 219 | adaptor Ø 19mm - 3/4" | 2 |
| 59 | BR 220 619 018 | flexible suction pipe Ø19x18cm | 1 |
| 60 | BH 518 500 400 | blanking plug 1/4" | 1 |
| 61 | BH 802 012 250 | o-ring Ø 12 x 2,5 mm | 1 |
| 62 | MPA 01 073 230 | support oil reservoir | 1 |
| 63 | BS 512 000 816 | bolt m8x16 din 933 | 4 |
| 64 | BS 533 000 800 | lock washer m8 din 127b | 6 |



| | | | | | |
|----------------------------------|----------------|-----|---|------|------------|
| ELIET SP2015 -- FEED-IN GOVERNOR | | | | | |
| NO | MMA 01 073 280 | REV | 1 | DATE | 2016/08/26 |

| # | Bestelnummer | Omschrijving | Aantal |
|---|----------------|---|--------|
| 1 | BH 509 211 006 | rechte inschroefkoppeling 10lx3/8" | 1 |
| 2 | MPA 01 074 190 | tuyau retour kit regulateur (walvoil) | 1 |
| 3 | MPA 01 074 180 | tuyau pression kit regulateur (walvoil) | 1 |
| 4 | BH 509 221 022 | rechte inschroefkoppeling 10lxm22 | 3 |
| 5 | BS 502 000 600 | borgmoer met nylonring m6 din 985 | 2 |
| 6 | BS 531 000 600 | rondsel m6 din 125 | 4 |
| 7 | BH 430 012 200 | snelheidsregelaar mtkavar 0,05-12l | 1 |
| 8 | BS 511 000 640 | bout m6x40 din 931 | 2 |